

TECHNICAL DATA

VOLTAGES: 100/120/200/220/230/240V AC, 50Hz or 60Hz To Order.

POWER CONSUMPTION:
480W @ 220V

LAMP: Type : HTI 300W/DX discharge lamp.
Colour Temperature: 6500°K
Socket: SFC10-4
Manufacturers Rated Lamp Life: 750 Hours

COLOURS:
9 Dichroic colours plus white

GOBOS:
7 interchangeable, rotating gobos,
with 4 extra supplied as standard.
Gobo diameter: 27.9mm
Gobo image diameter: 22mm

PRISM:
1 x 3 Facet, Bi-directionally rotating prism.

FOCUS:
DMX controlled focus.

SHUTTER/STROBE:
Shutter for blackout, dimming and strobe 1 – 7 F.P.S.

HEAD MOVEMENT:
Pan 370° Tilt 265°

BEAM ANGLE:
12°

CONTROL:
DMX512: 8 Channels plus 2 for Hi Res. Pan and Tilt
Stand-Alone Automatic mode and Master/Slave operation

MOTORS:
10 Stepper motors

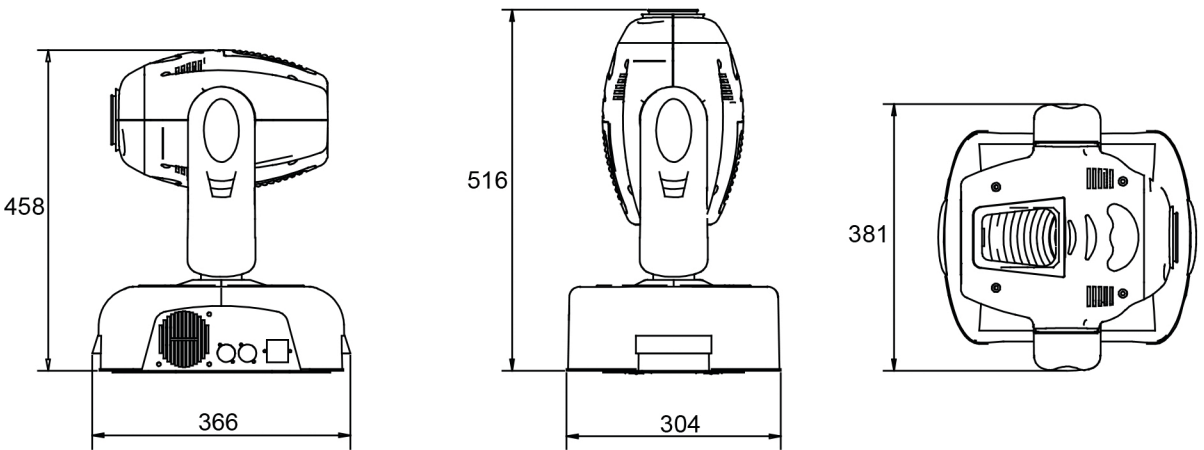
HOUSING:
Metal and composite plastic (IP20)

DIMENSIONS:
See drawings below.

WEIGHT:
18Kg.

PACKED DIMENSIONS:
450mm LONG x 450mm WIDE x 610mm HIGH

PACKED WEIGHT:
20Kg.



LIGHT OUTPUT

